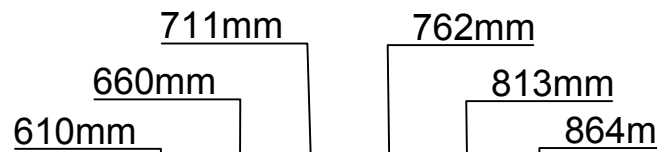
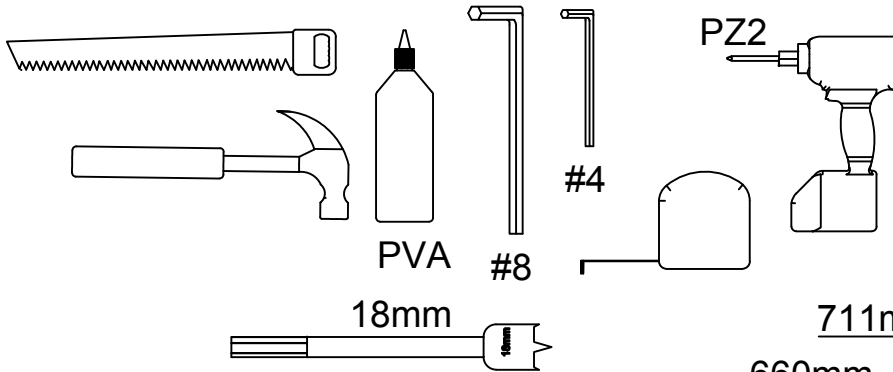
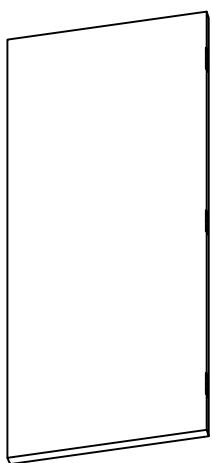
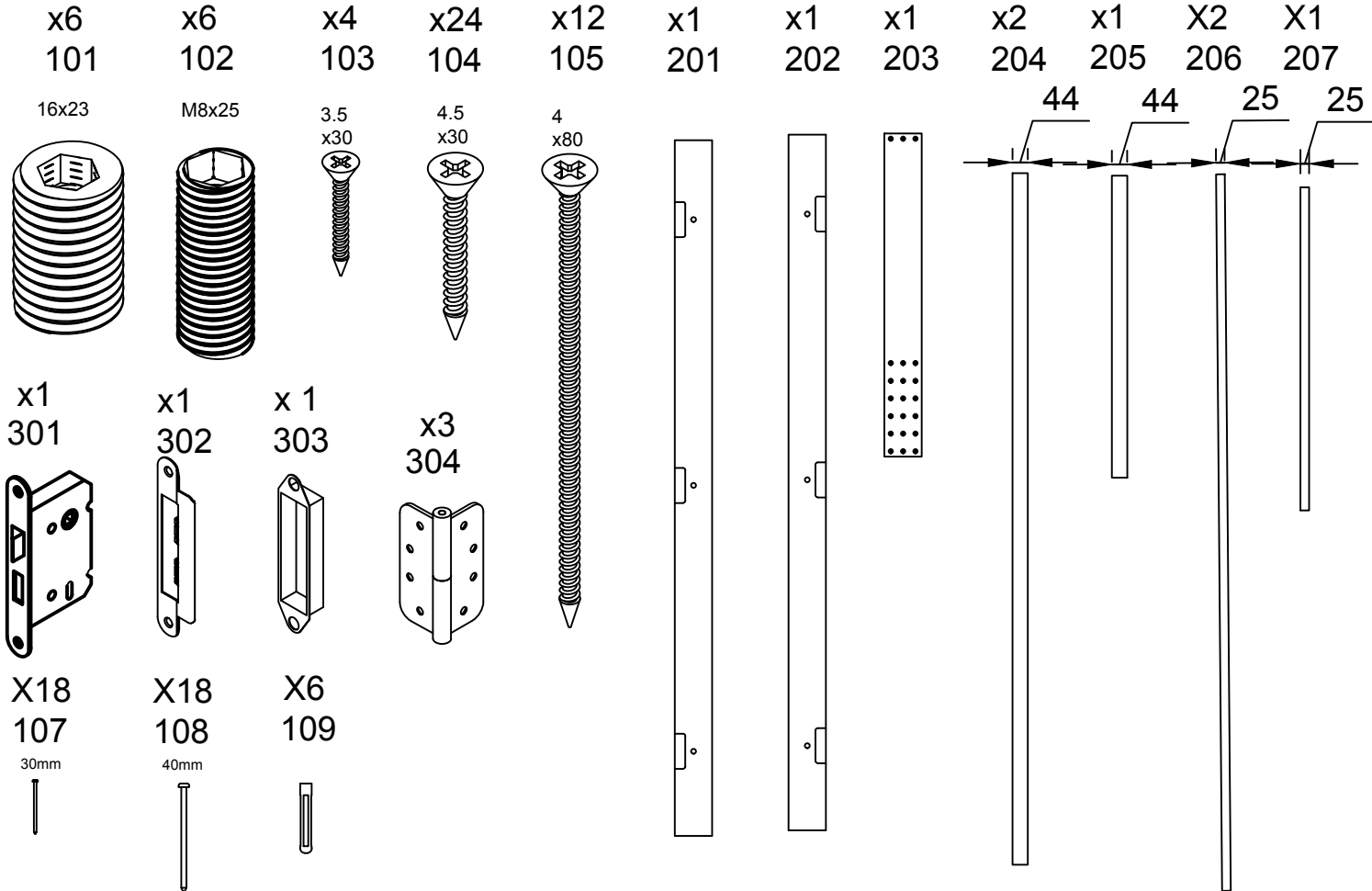
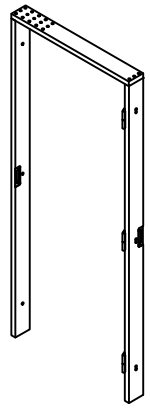


If fitting a fire frame/door please refer to your door manufactures fitting instructions.



READY DOOR

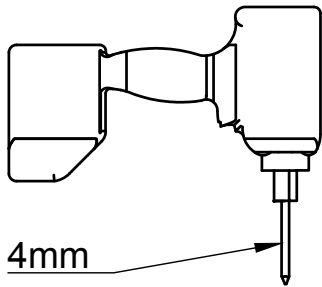


24" 26" 28" 30" 32" 34"

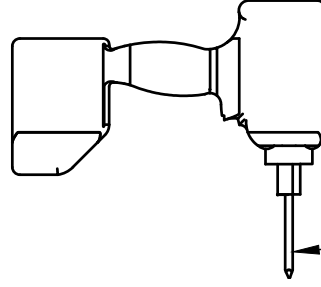
1

24" 26" 28" 30" 32" 34"

?

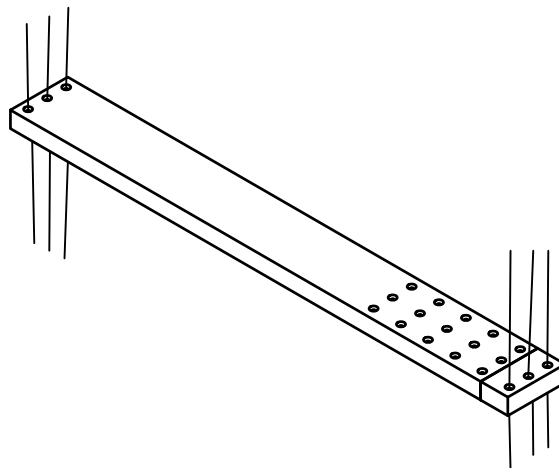


x3



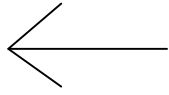
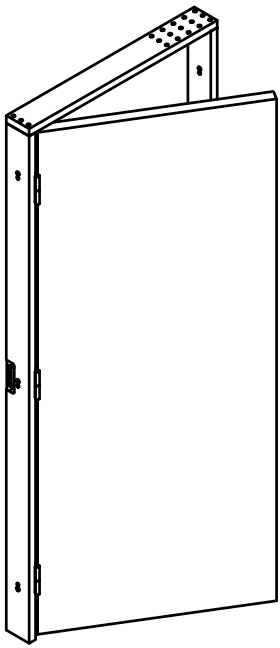
4mm

? x3

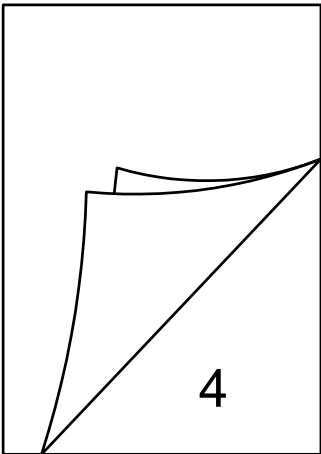
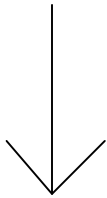
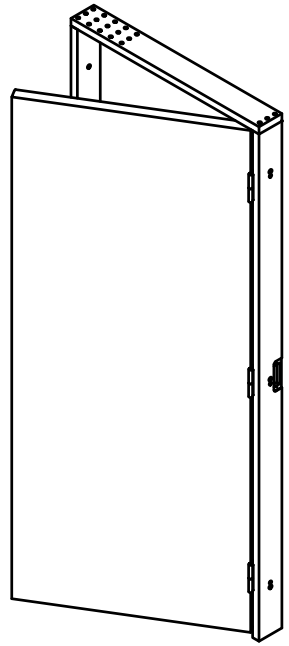
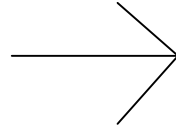


2

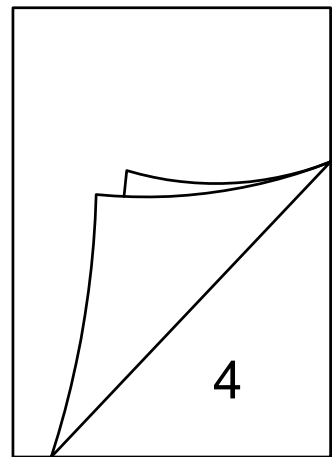
2



?



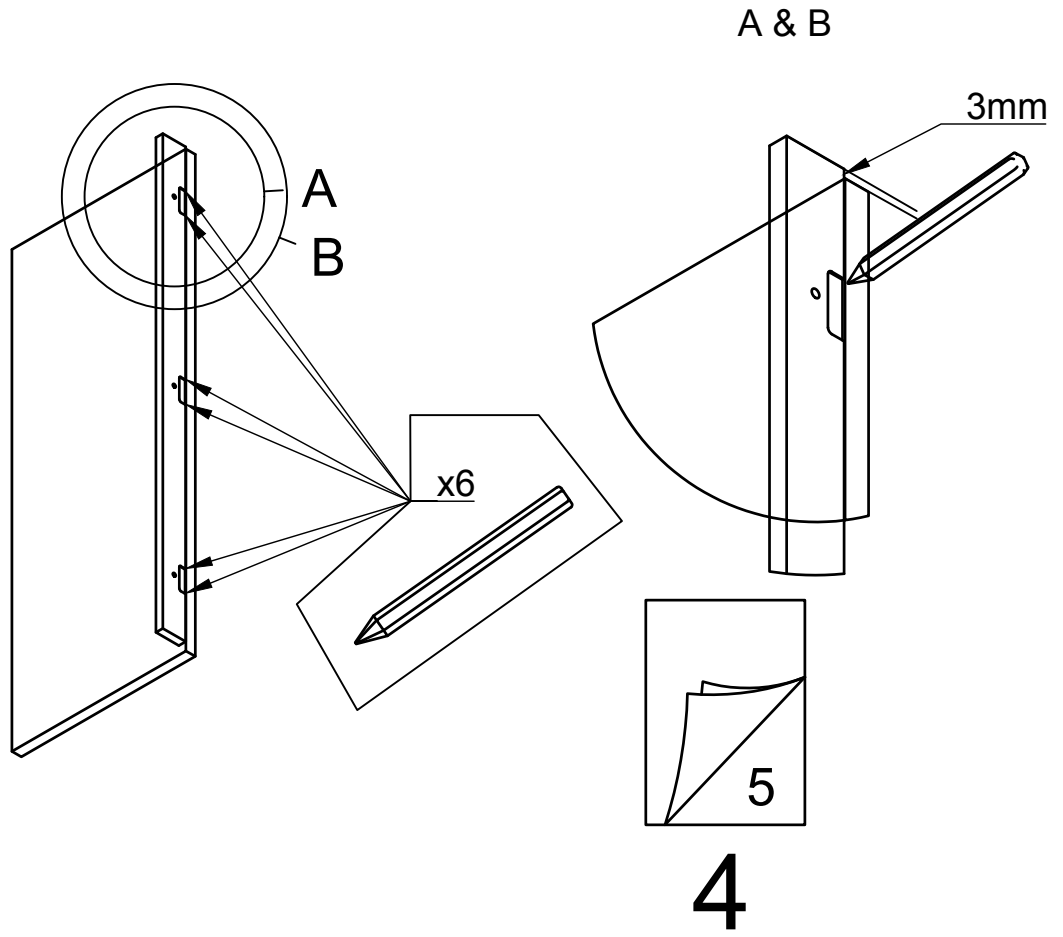
3a



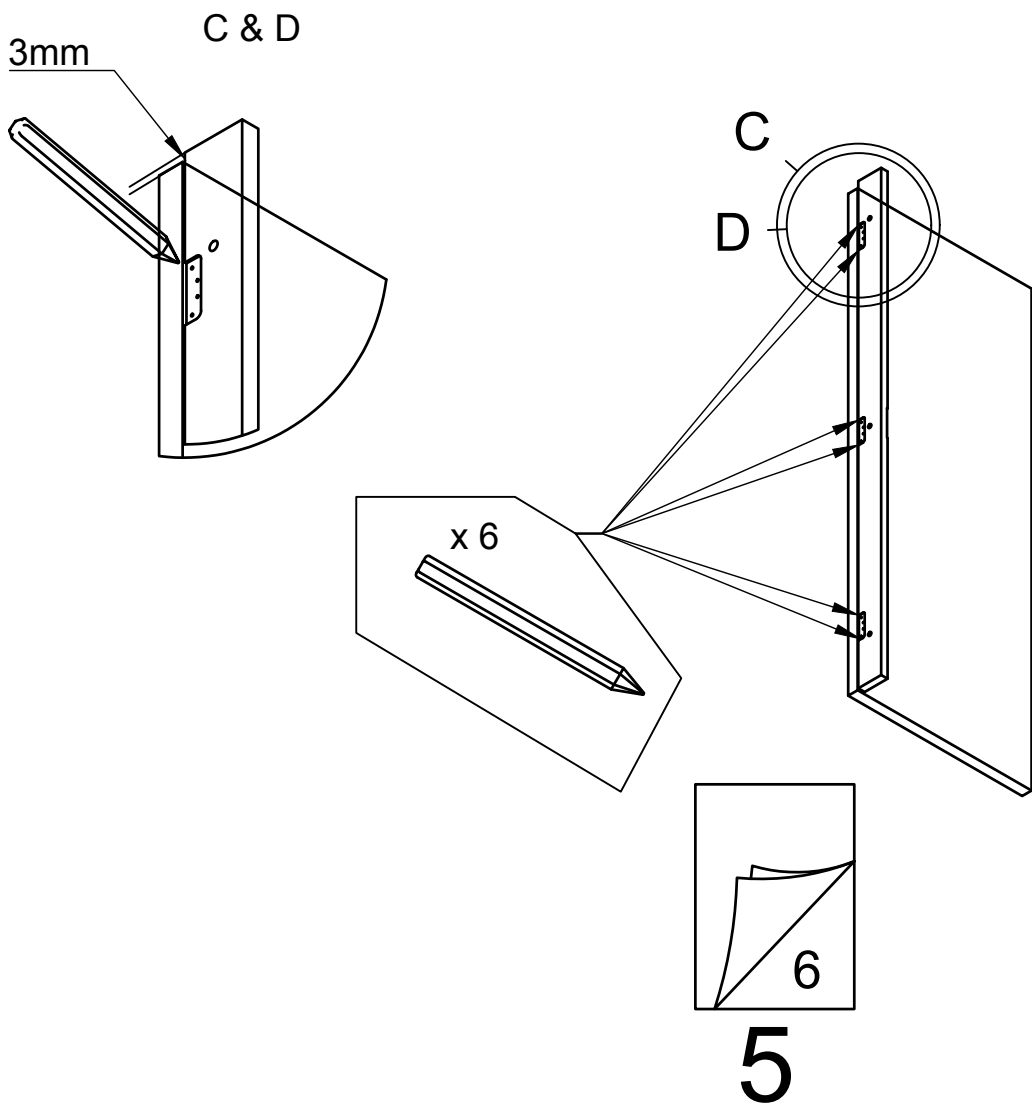
3

3

3

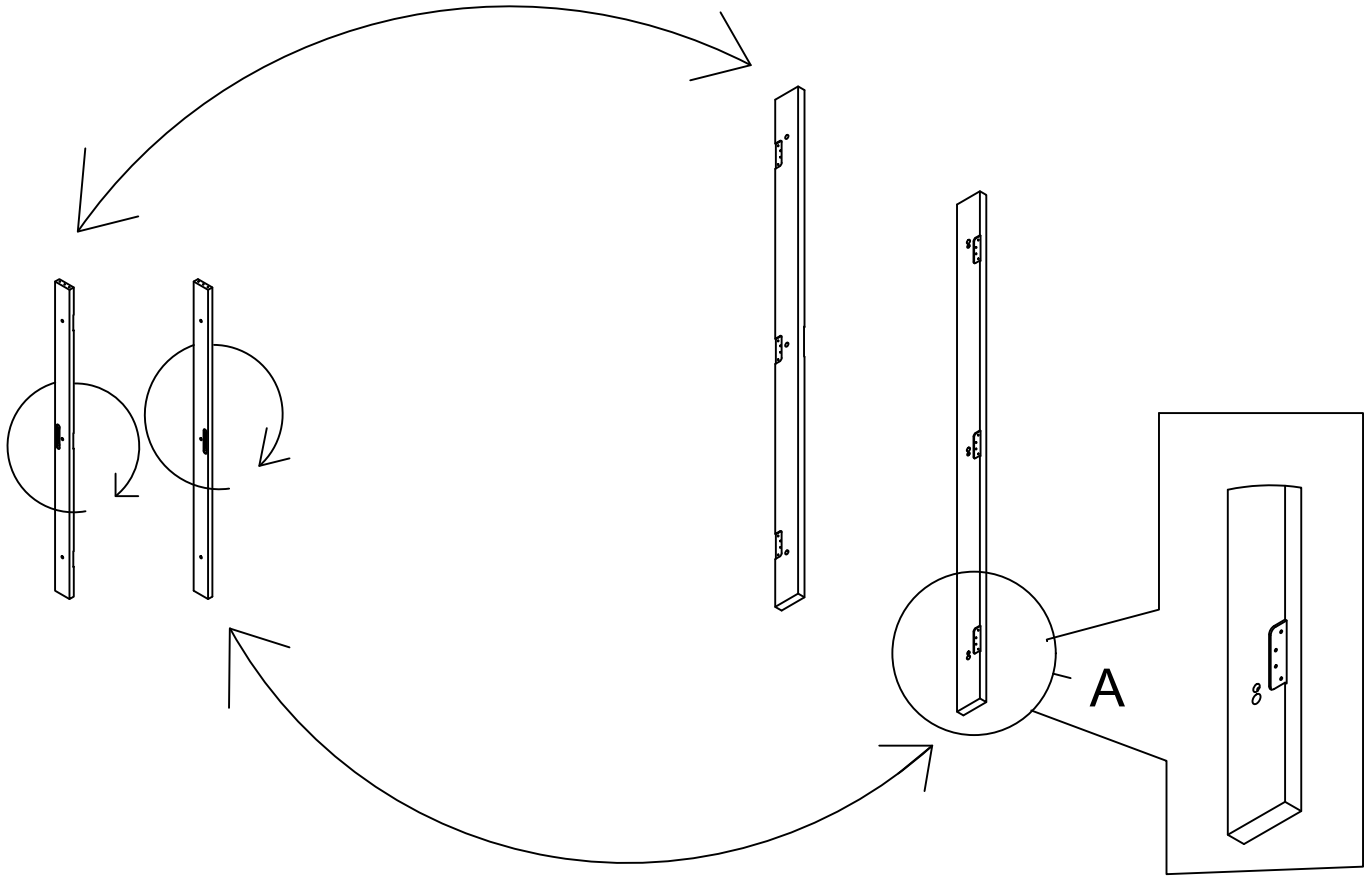


3a

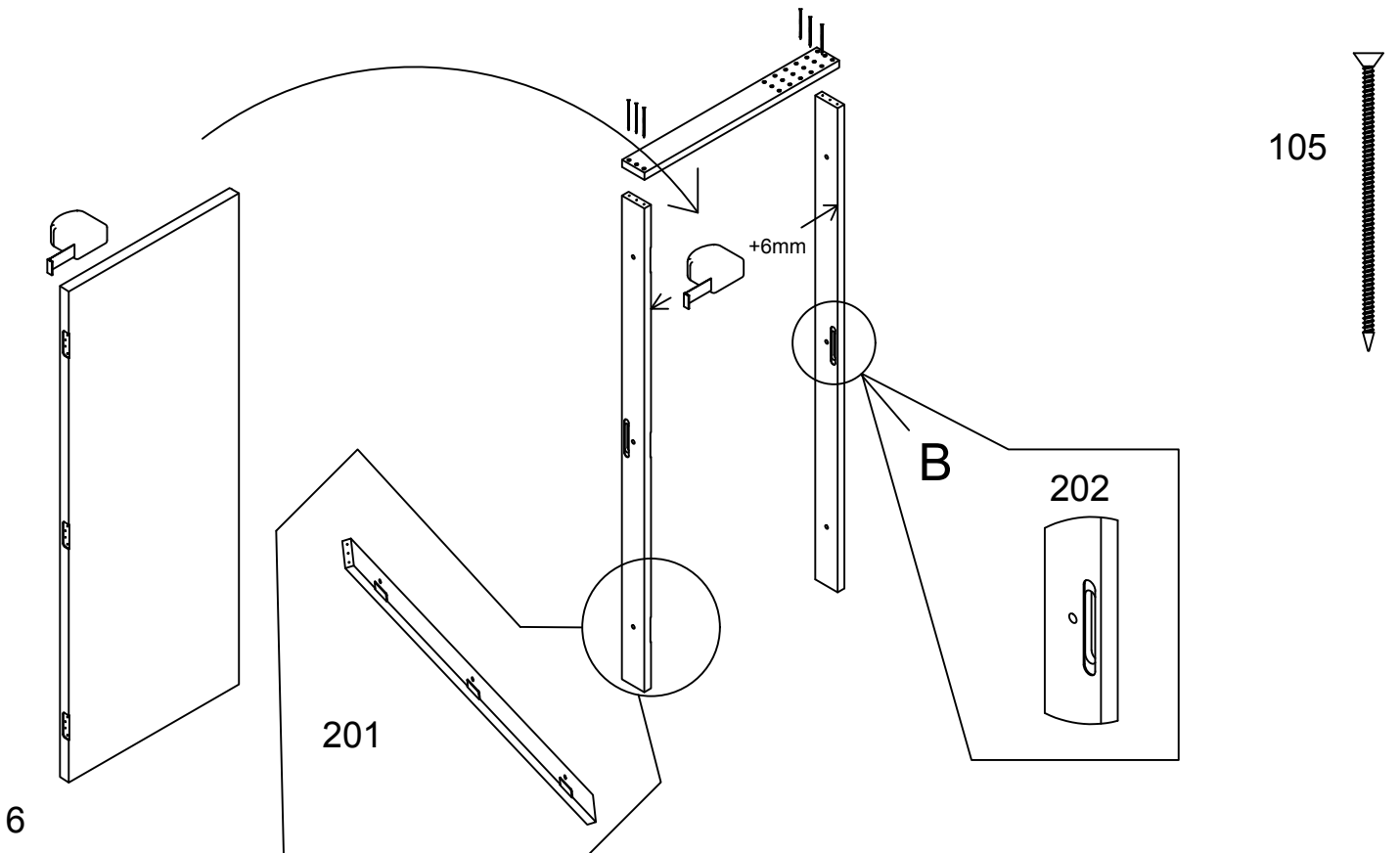


4

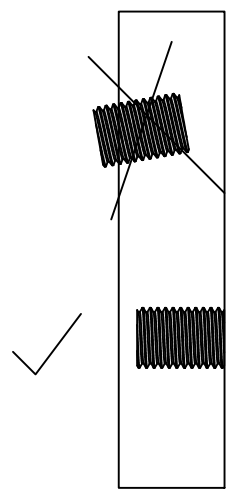
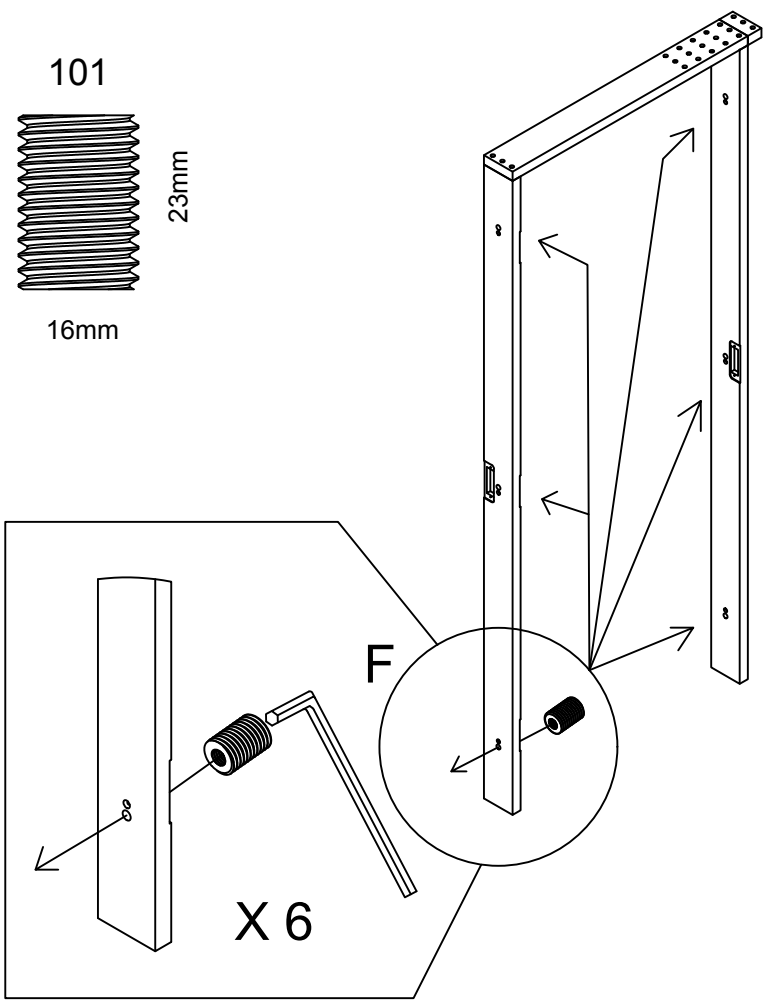
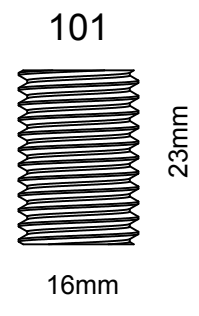
4



5

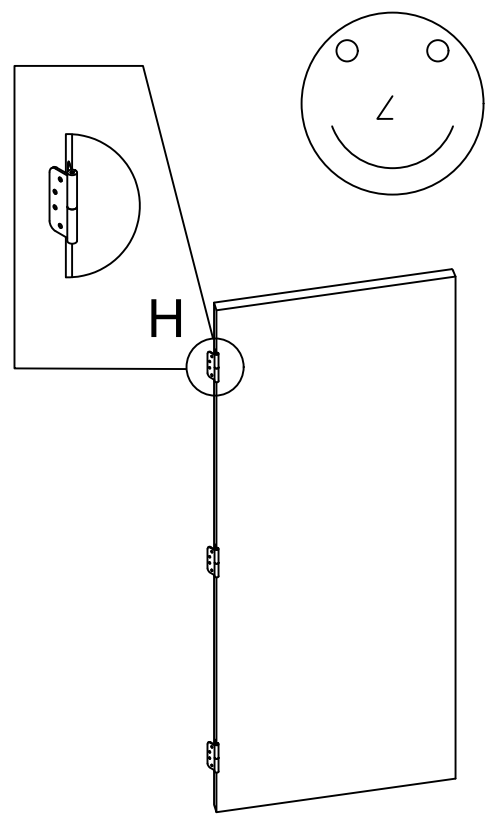
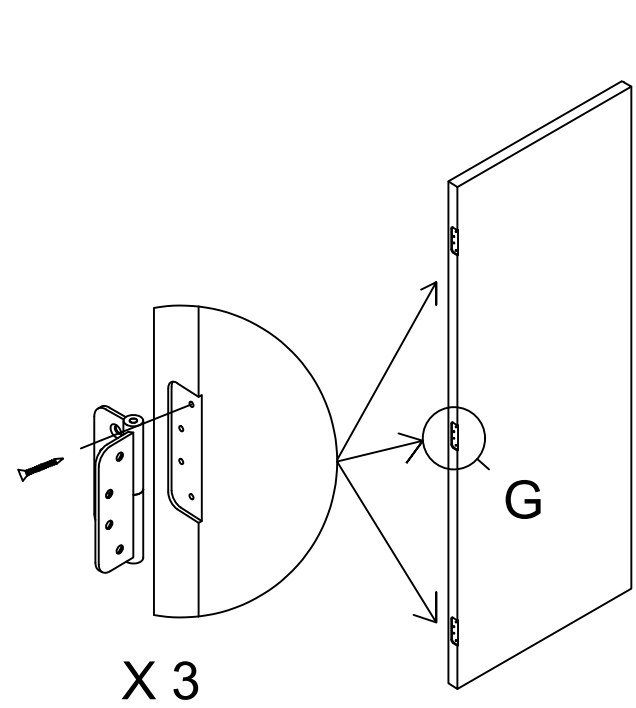
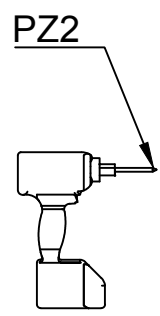


6



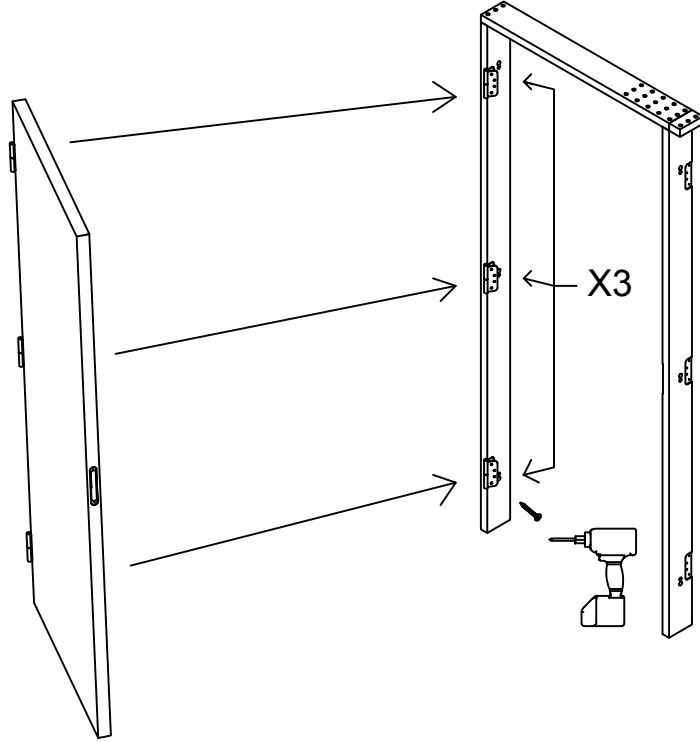
7

104
X12

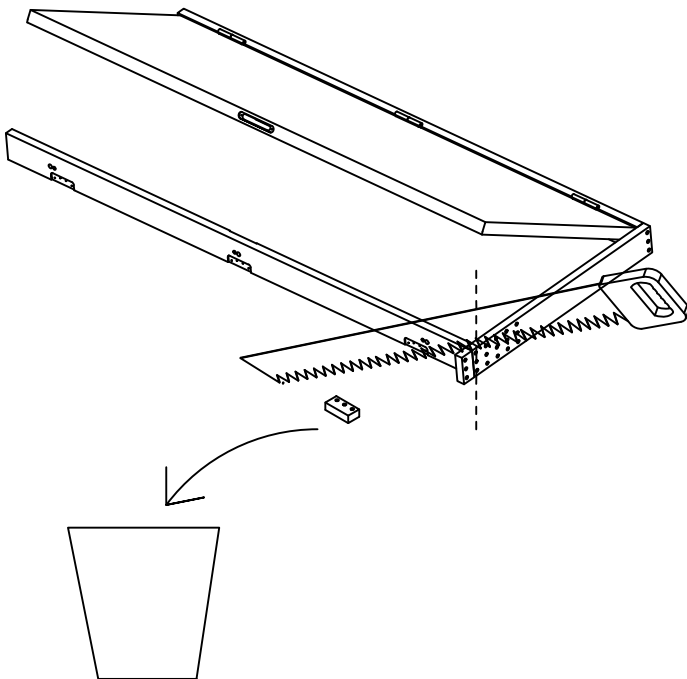


8

104
X12



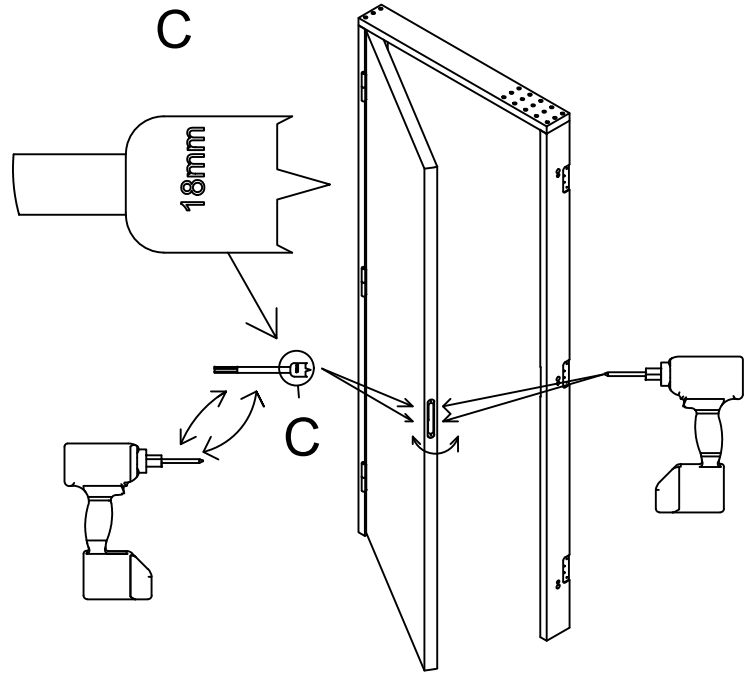
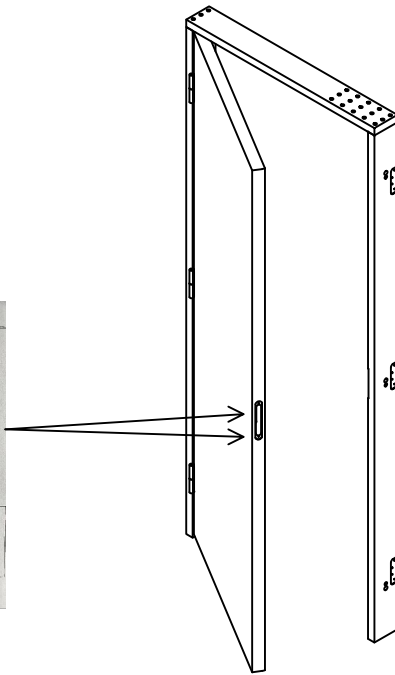
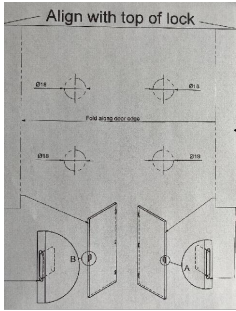
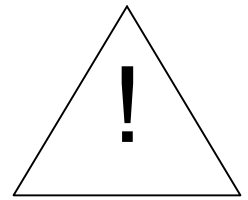
9



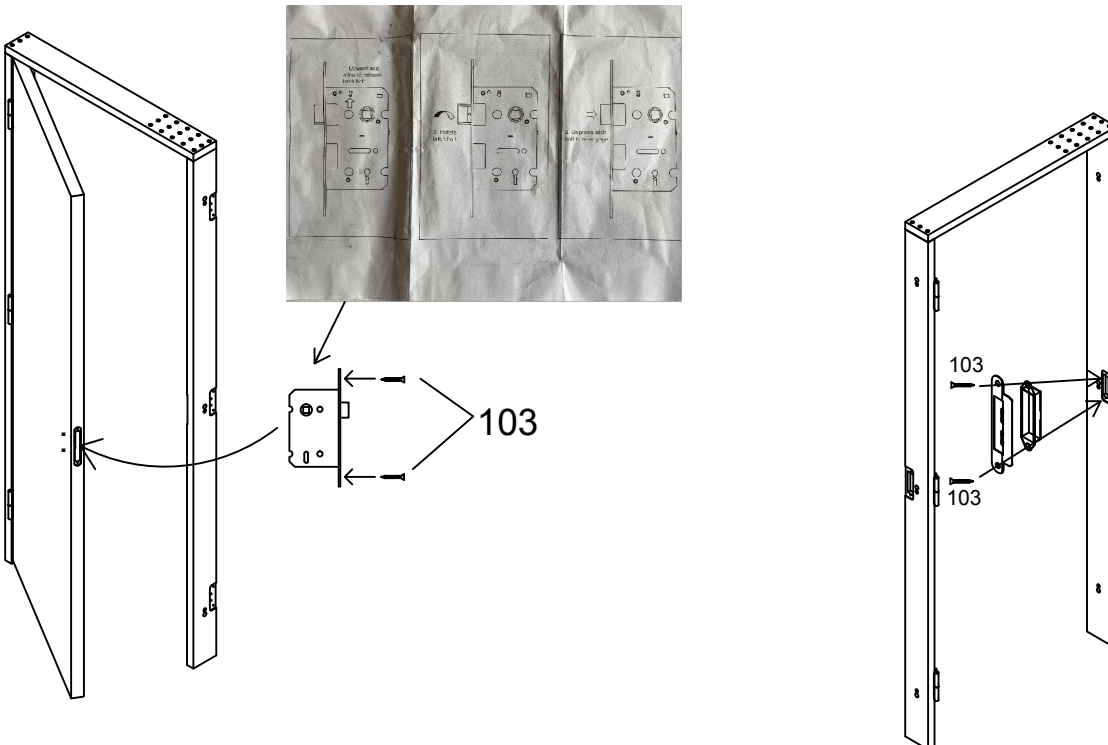
8

10

!!! Warning: You must drill the door face before fitting the lock.

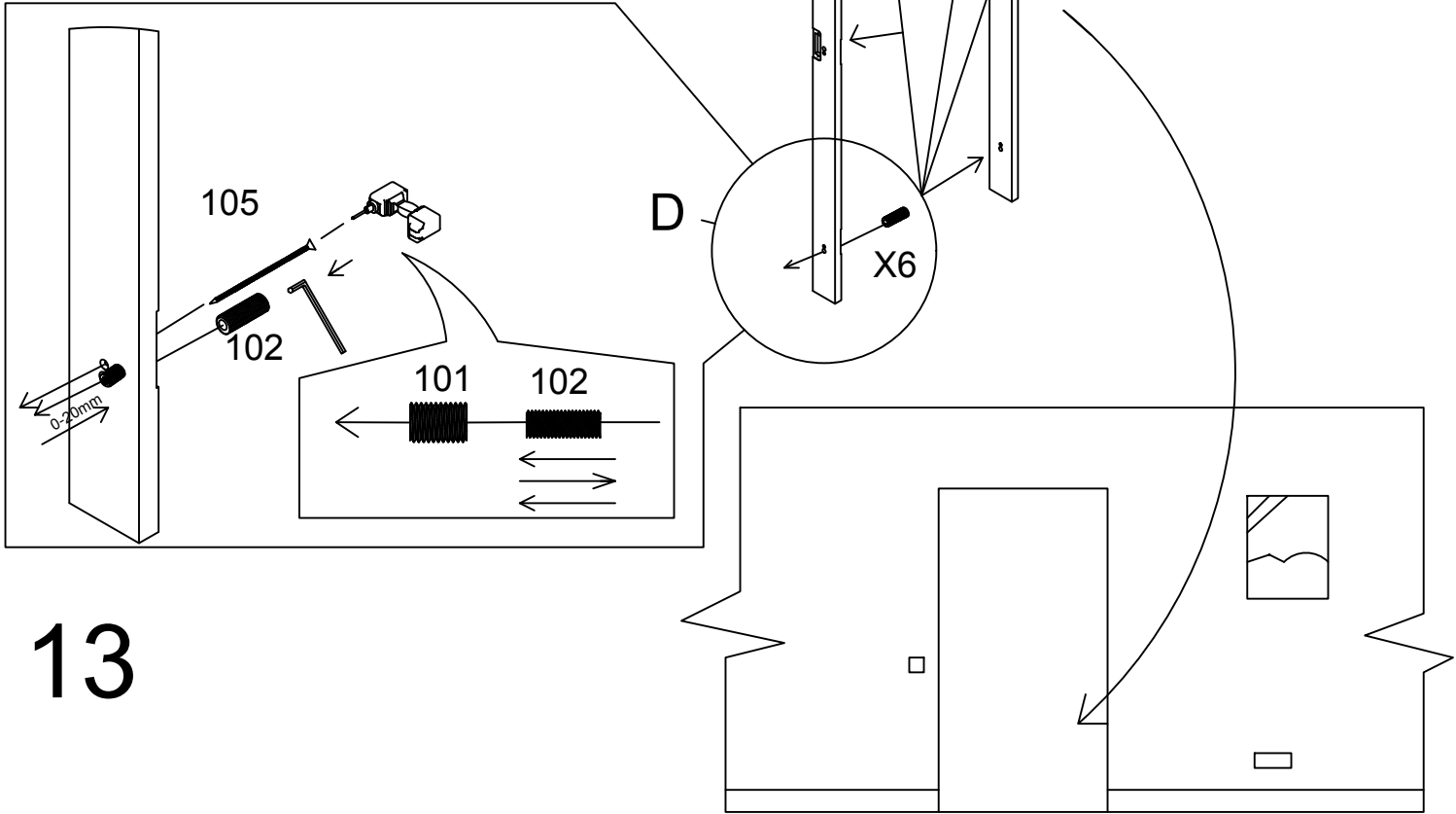


11

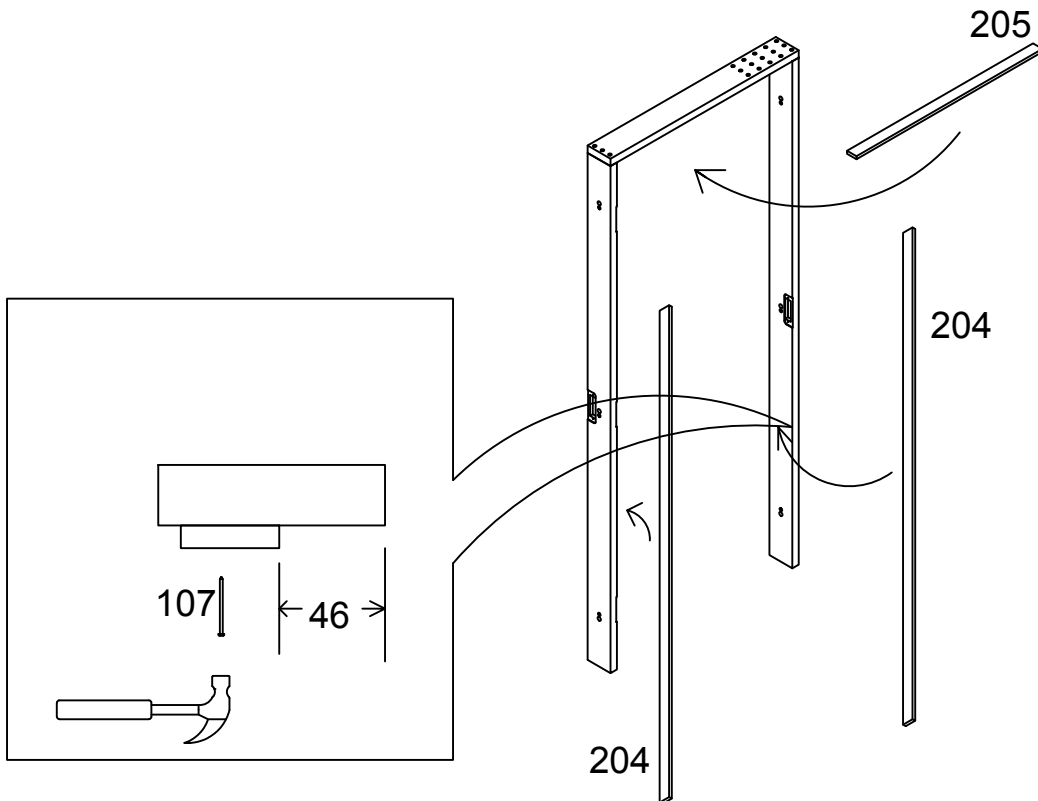


12

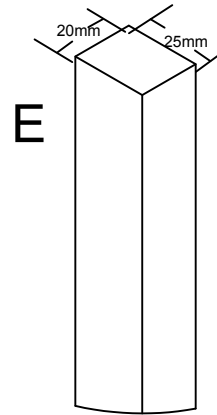
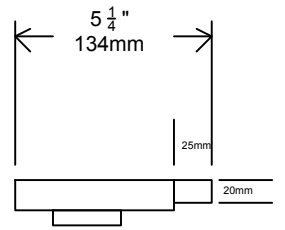
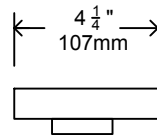
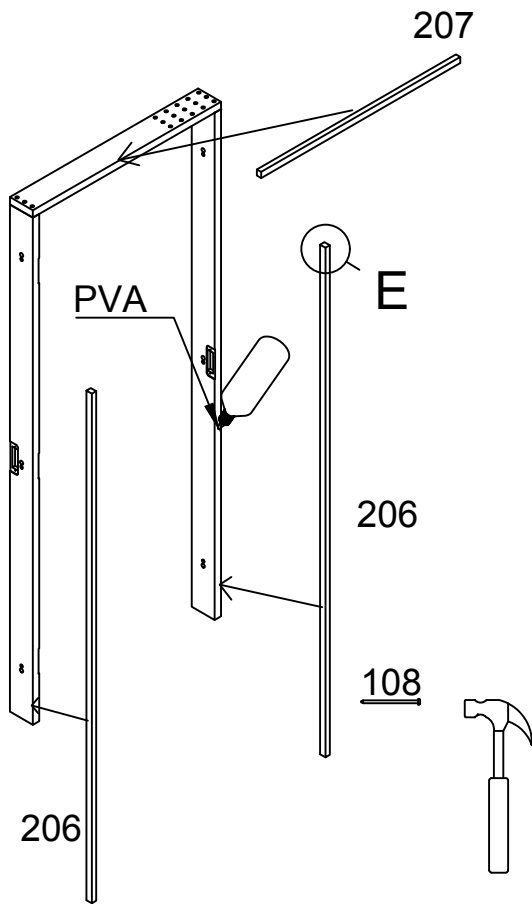
102
X6



13



14



15

