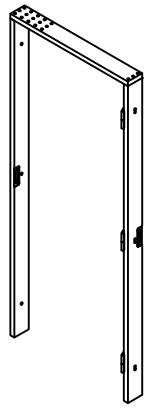


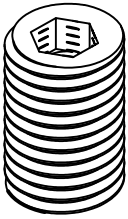


# READY DOOR



x6  
101

16x23



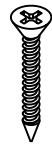
x6  
102

M8x25



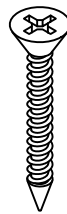
x4  
103

3.5  
x30



x24  
104

4.5  
x30



x12  
105

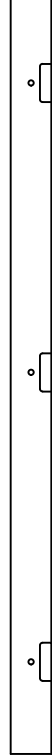
4  
x80



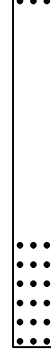
x1  
201



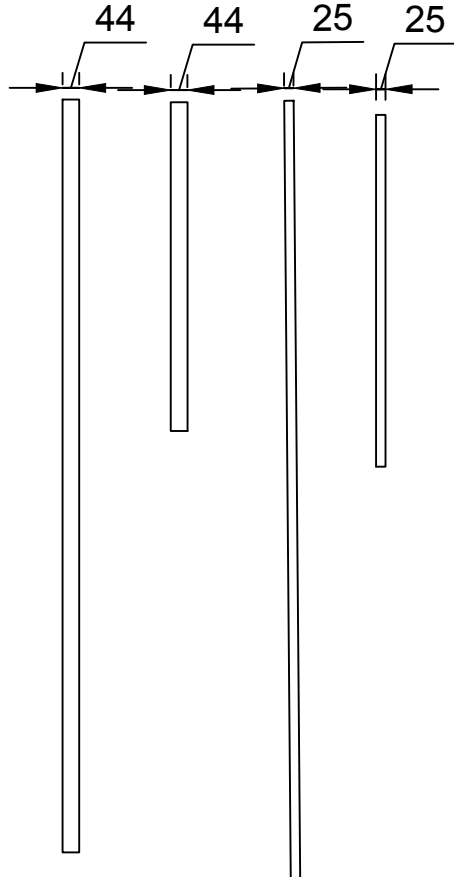
x1  
202



x1  
203



x2  
204



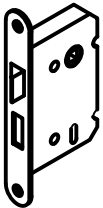
44

44

25

25

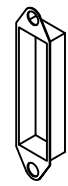
x1  
301



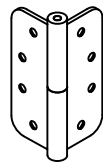
x1  
302



x 1  
303



x3  
304



X18  
107

30mm

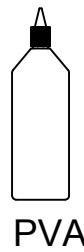
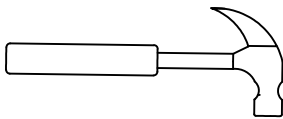
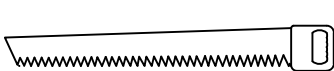
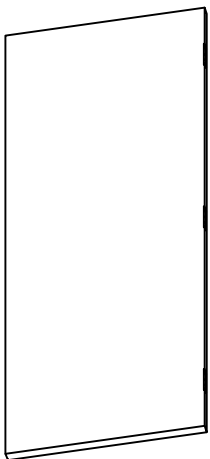


X18  
108

40mm



X6  
109



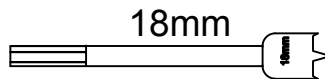
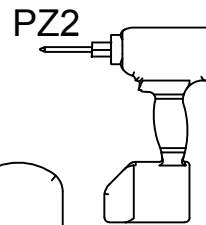
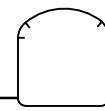
PVA



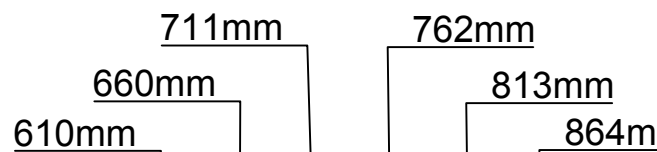
#8



#4



18mm



610mm

660mm

711mm

762mm

813mm

864mm



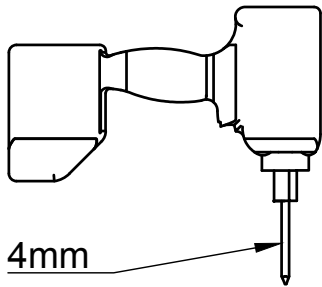
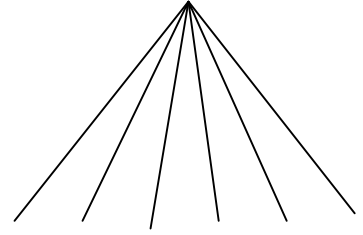
#203

24" 26" 28" 30" 32" 34"

1

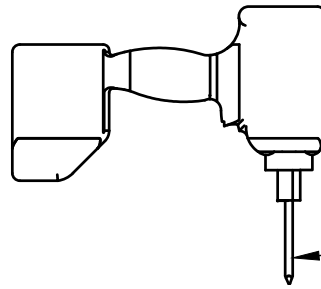
24" 26" 28" 30" 32" 34"

?



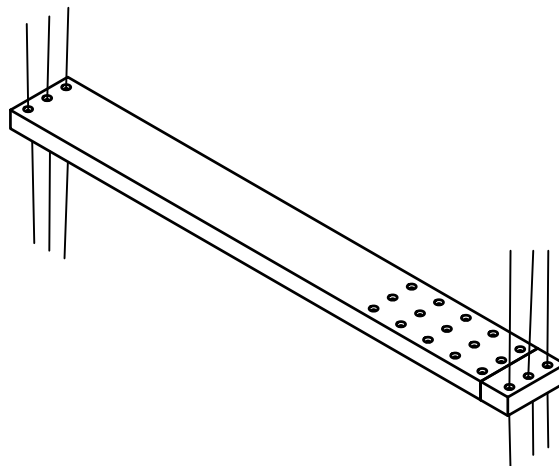
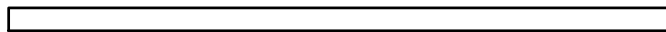
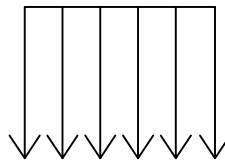
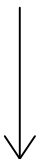
4mm

x3



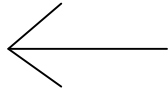
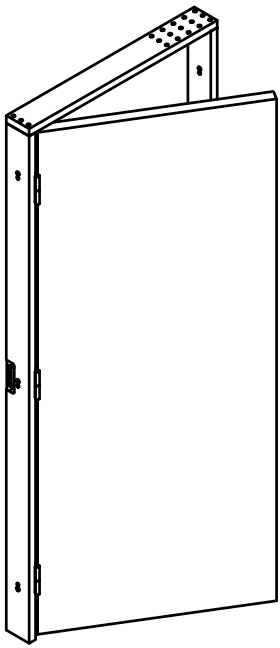
4mm

? x3

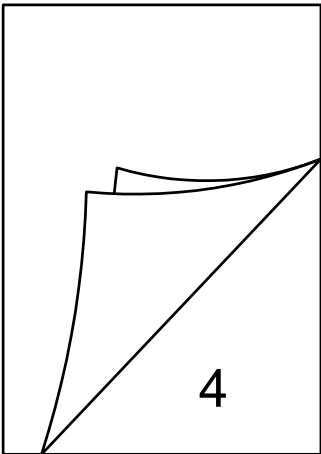
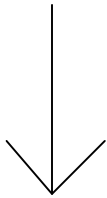
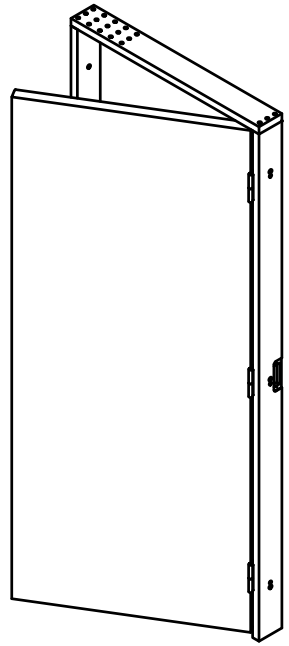
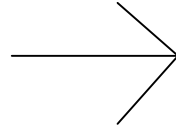


2

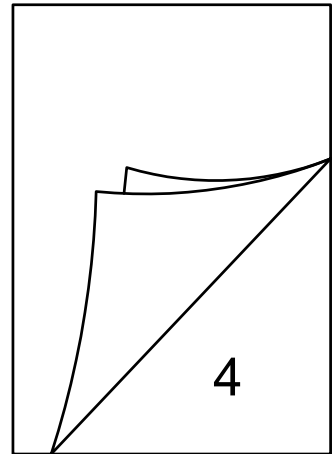
2



?



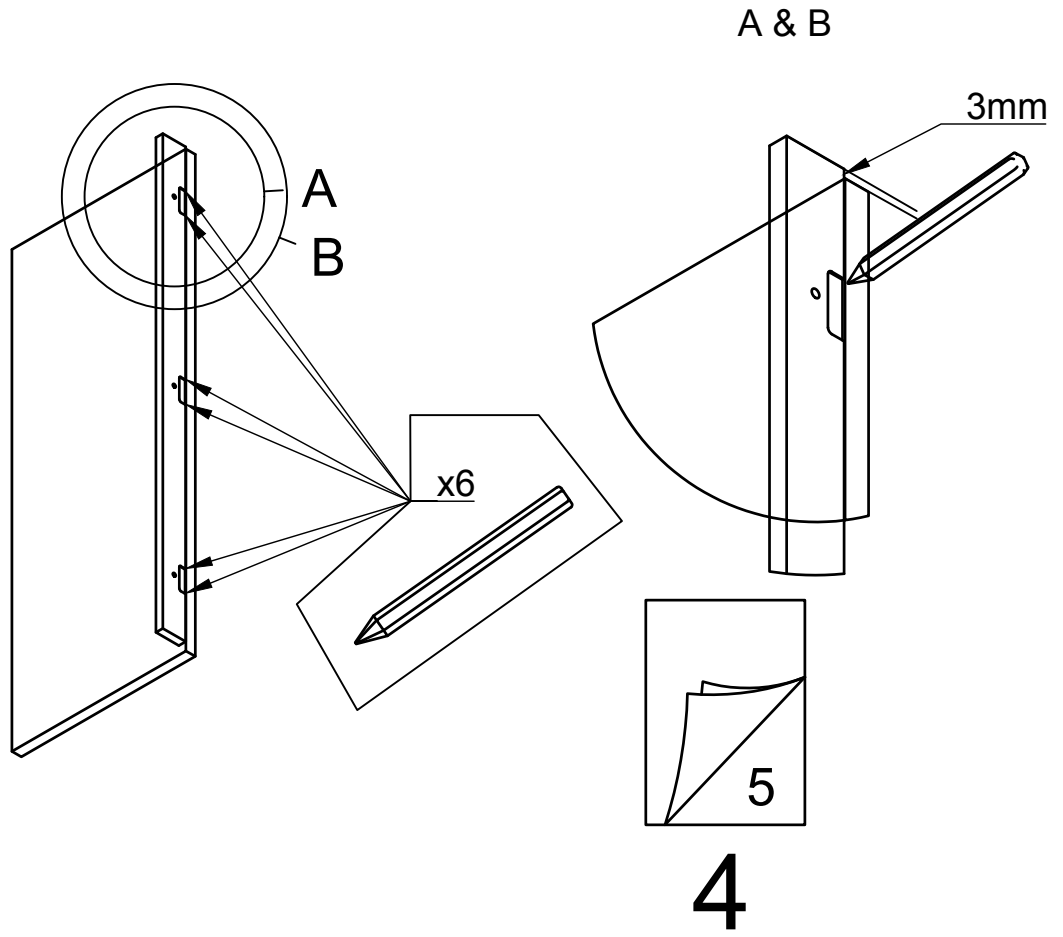
3a



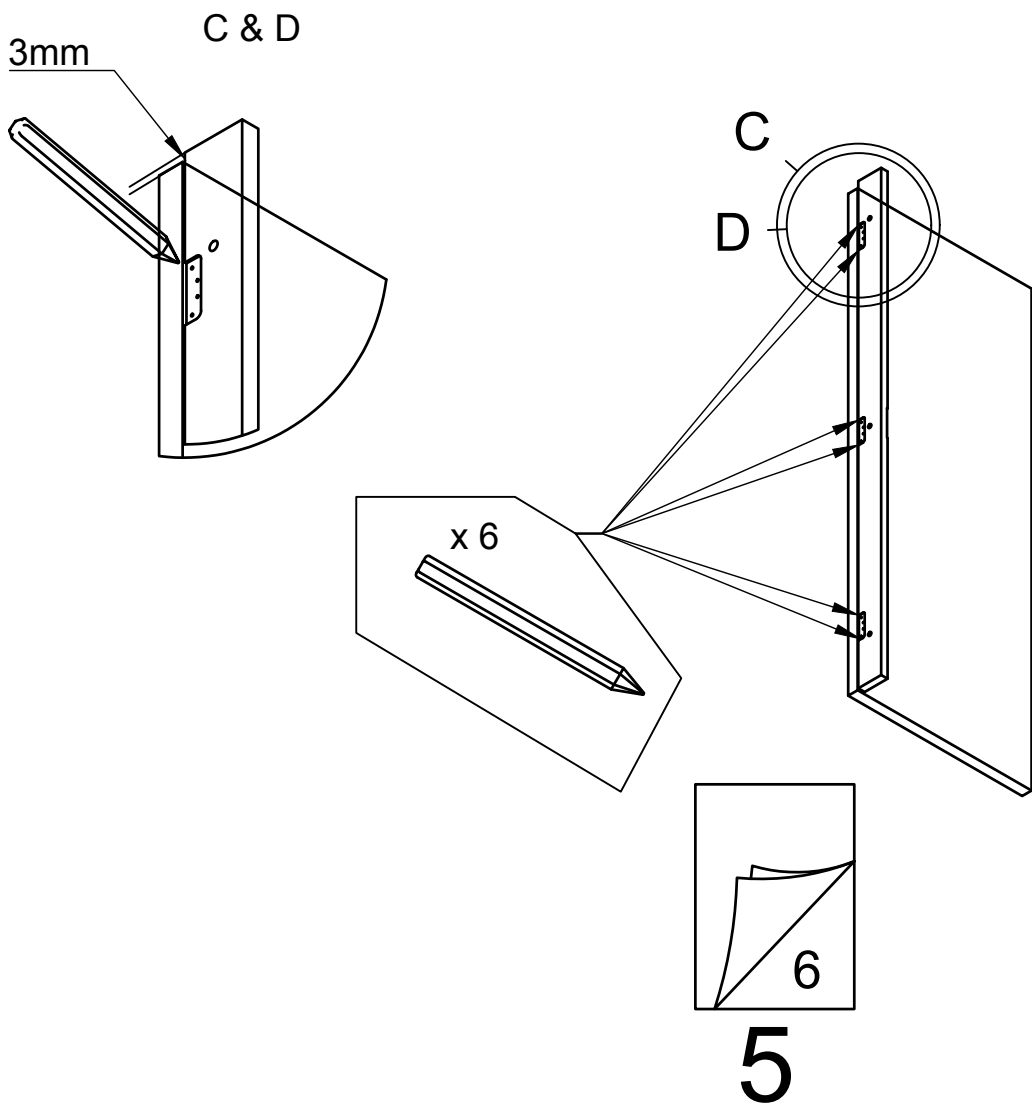
3

3

# 3

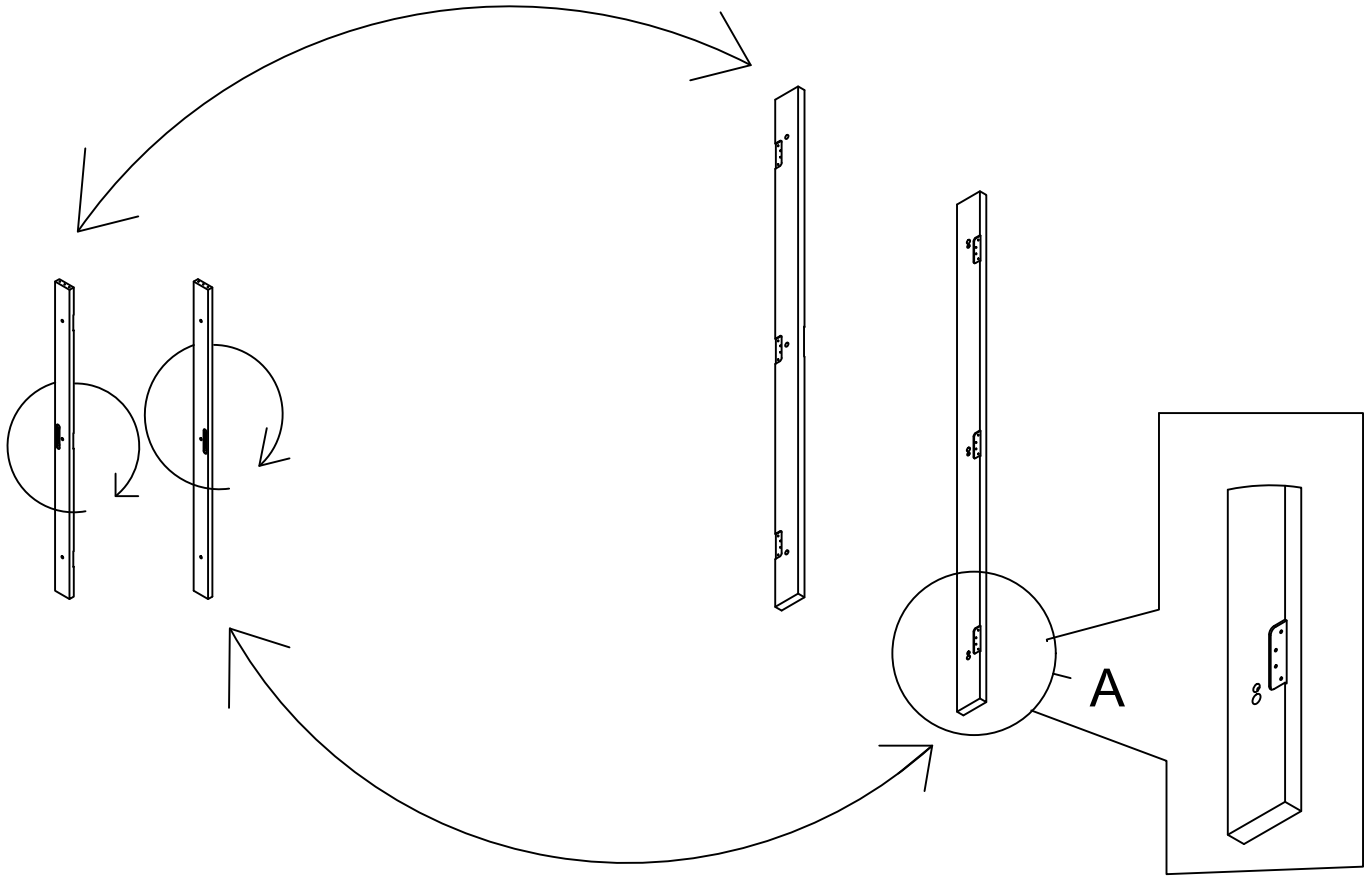


# 3a

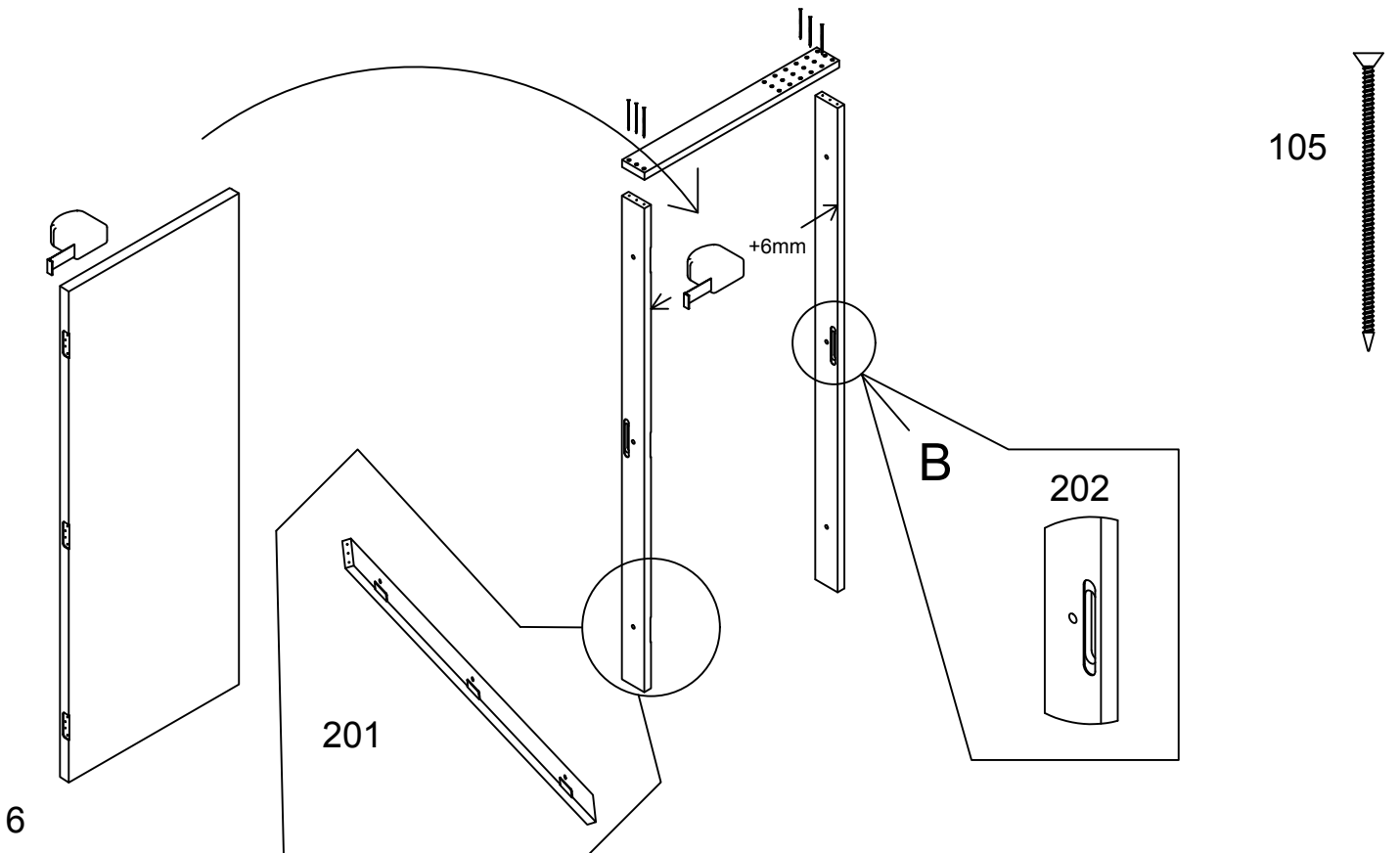


4

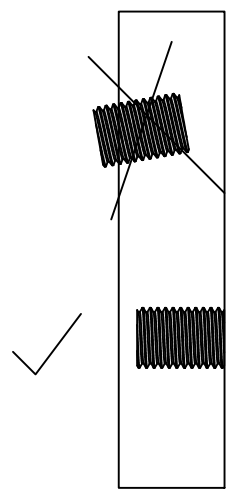
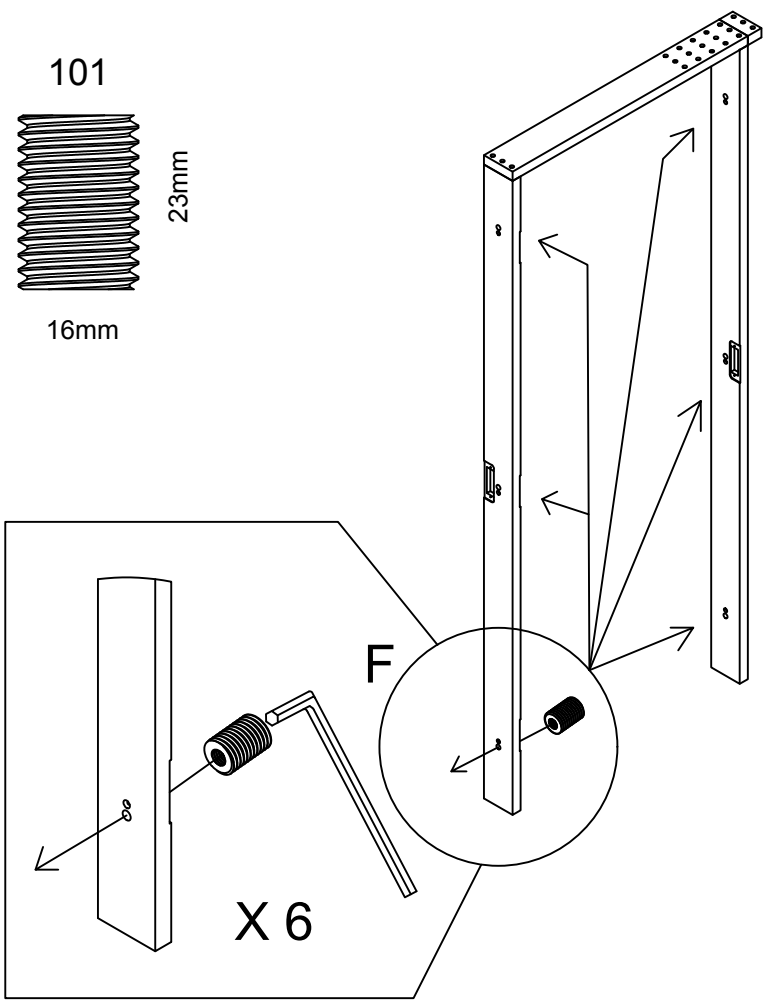
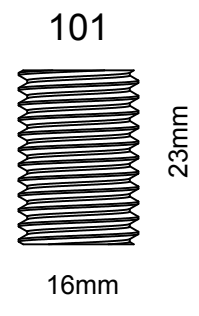
4



5

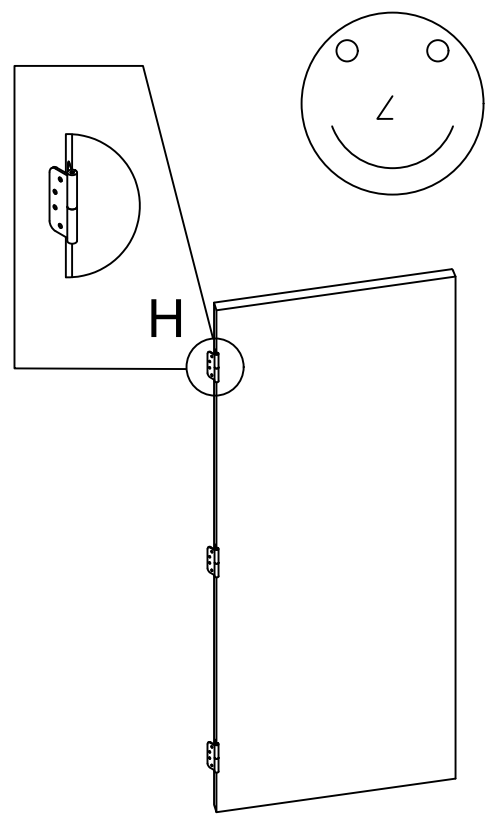
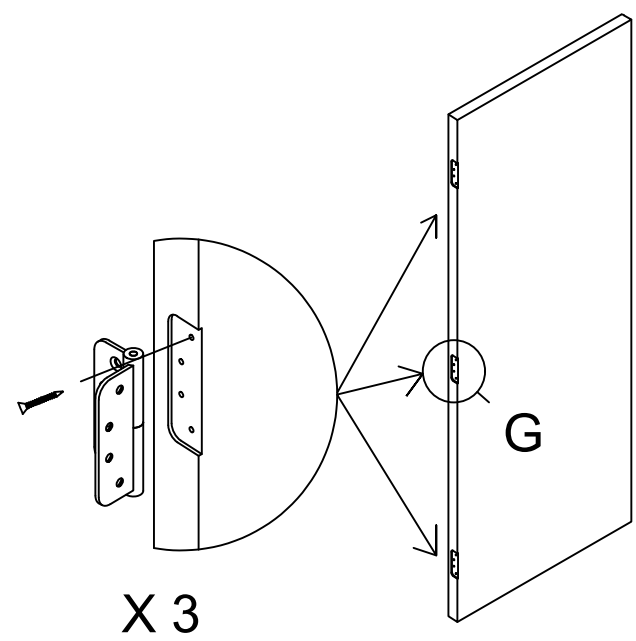
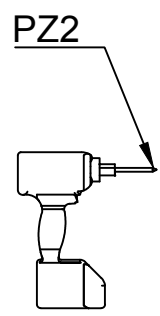


# 6



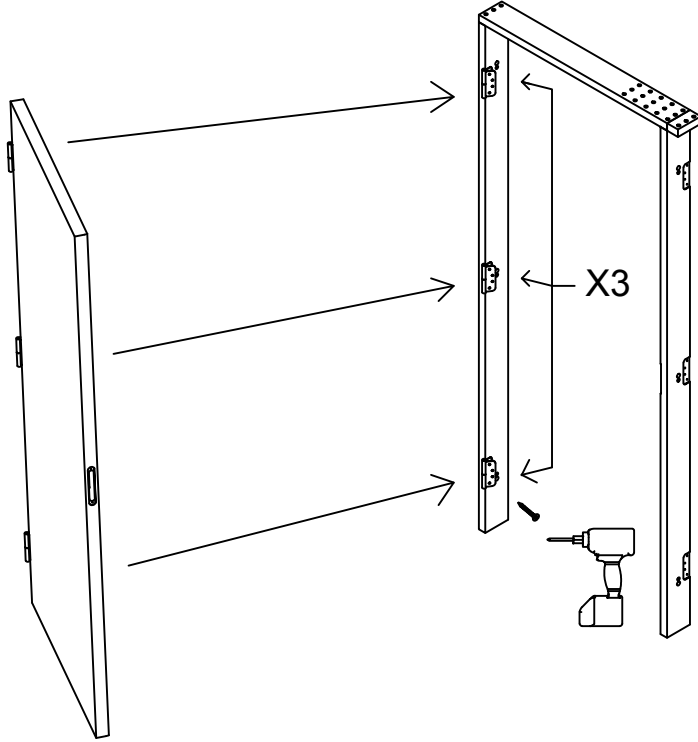
# 7

104  
X12

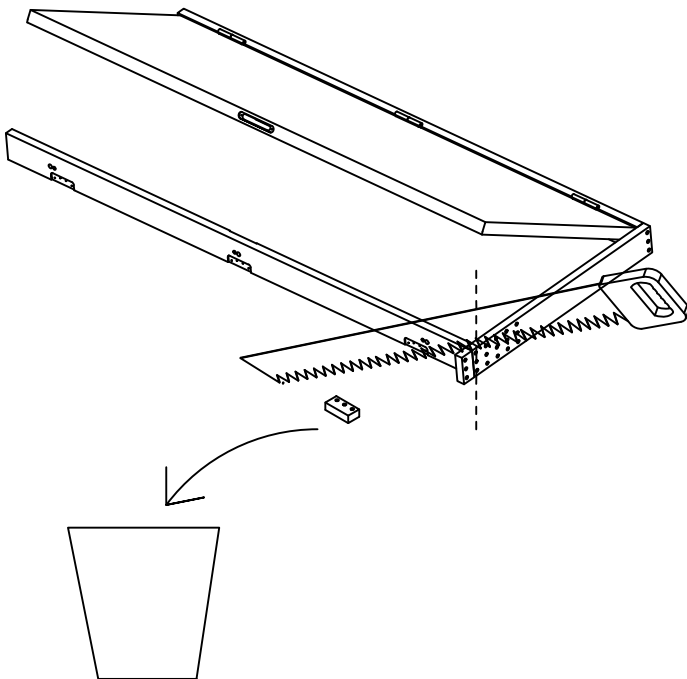


8

104  
X12



9

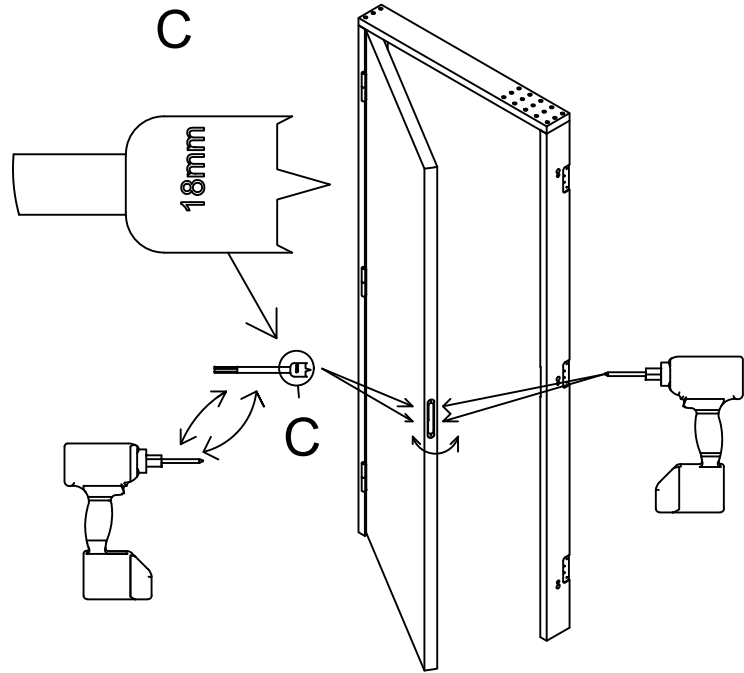
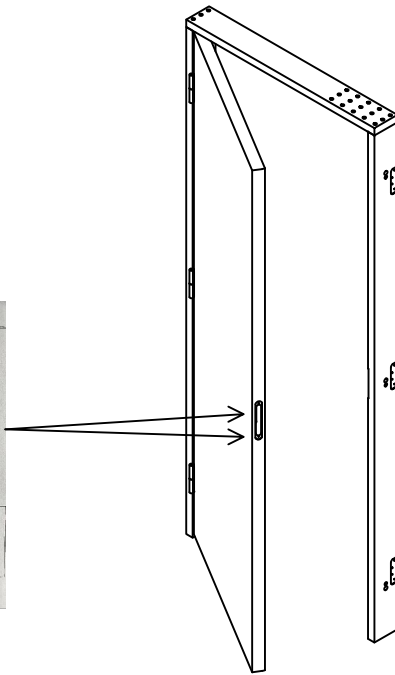
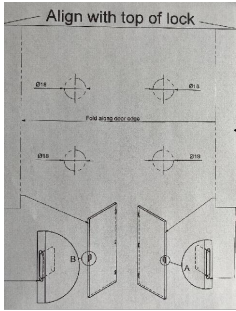
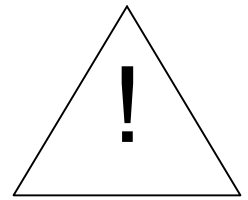


8

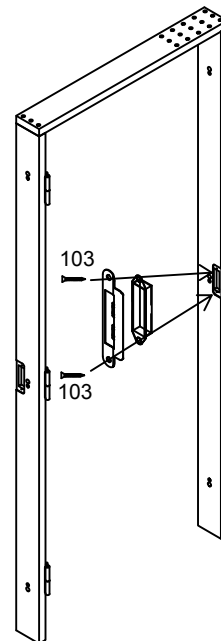
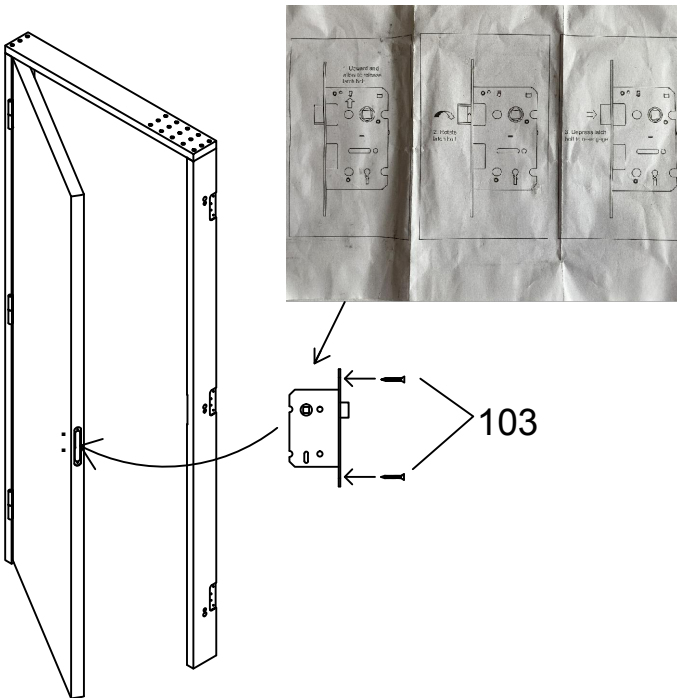


# 10

!!! Warning: You must drill the door face before fitting the lock.

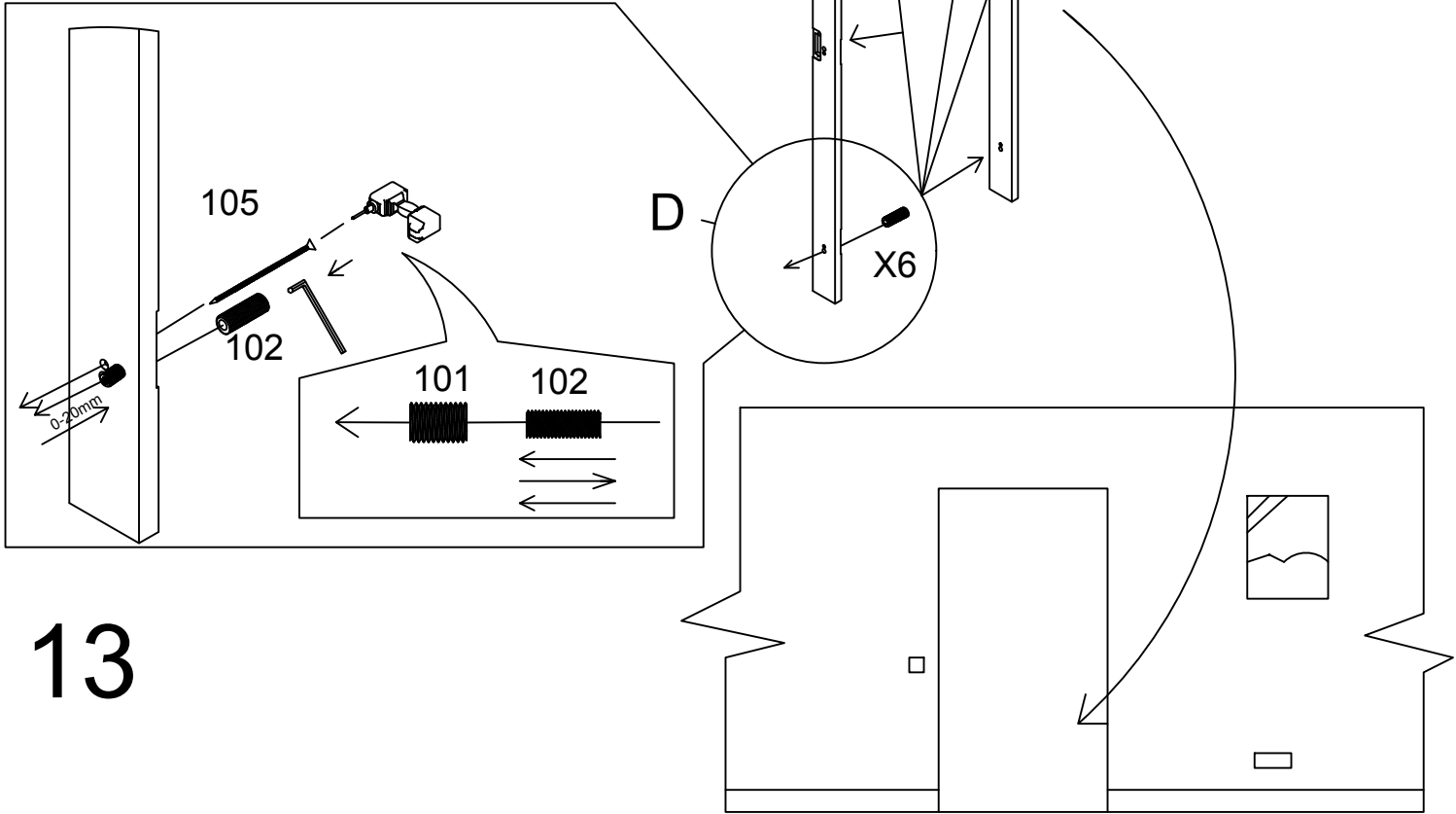


# 11

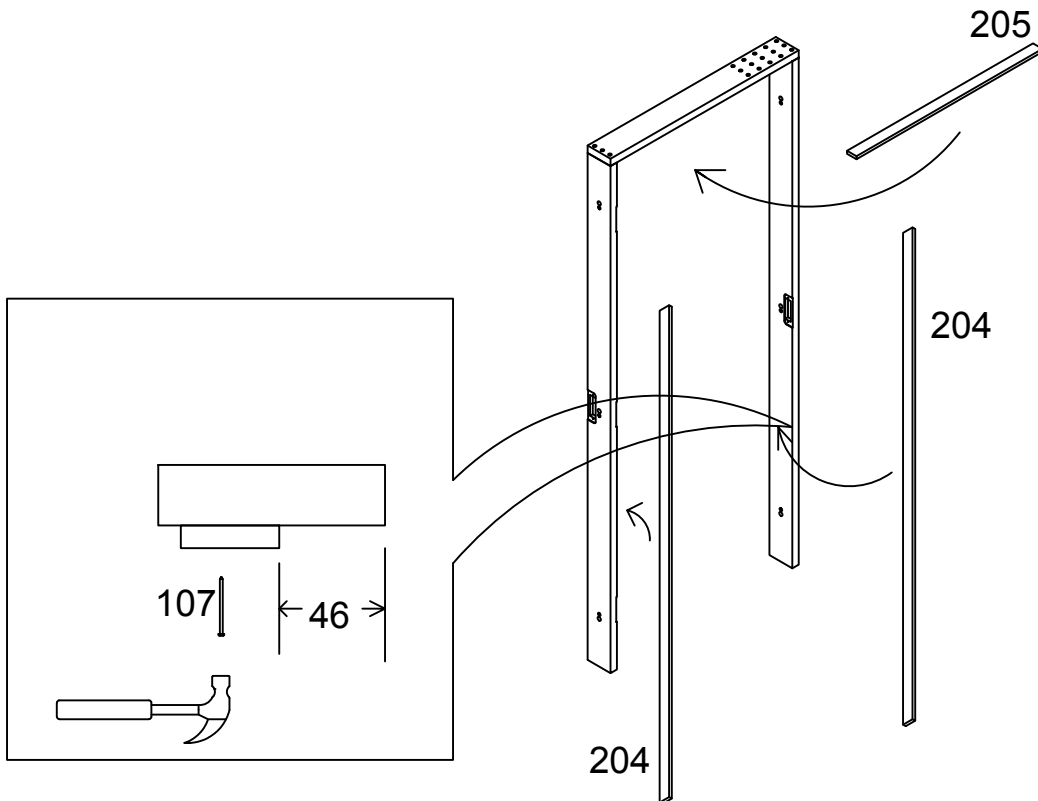


# 12

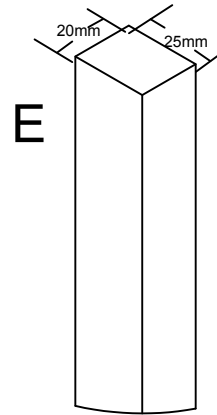
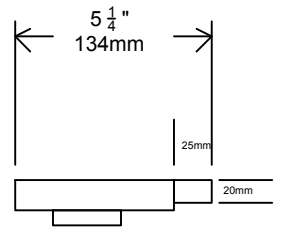
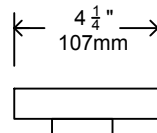
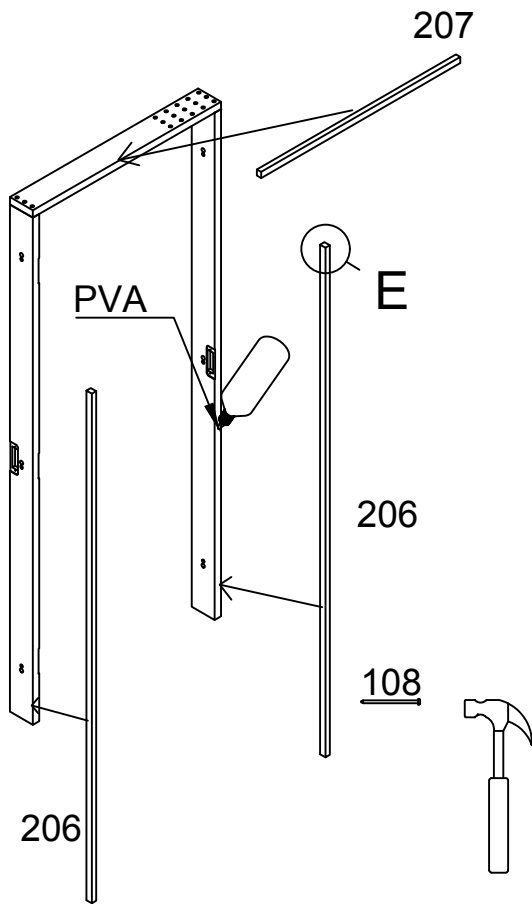
102  
X6



# 13



# 14



# 15

